



# HBS-0150-1 SINGLE TOWER DESICCANT AIR DRYER GENERAL ARRANGEMENT

TOLERANCES UNLESS OTHERWISE SPECIFIED:

- FRACTIONS = ± 1/4 "
- ANGLES = ± 3°
- INCHES = ± 1/2 "
- FINISH = 250

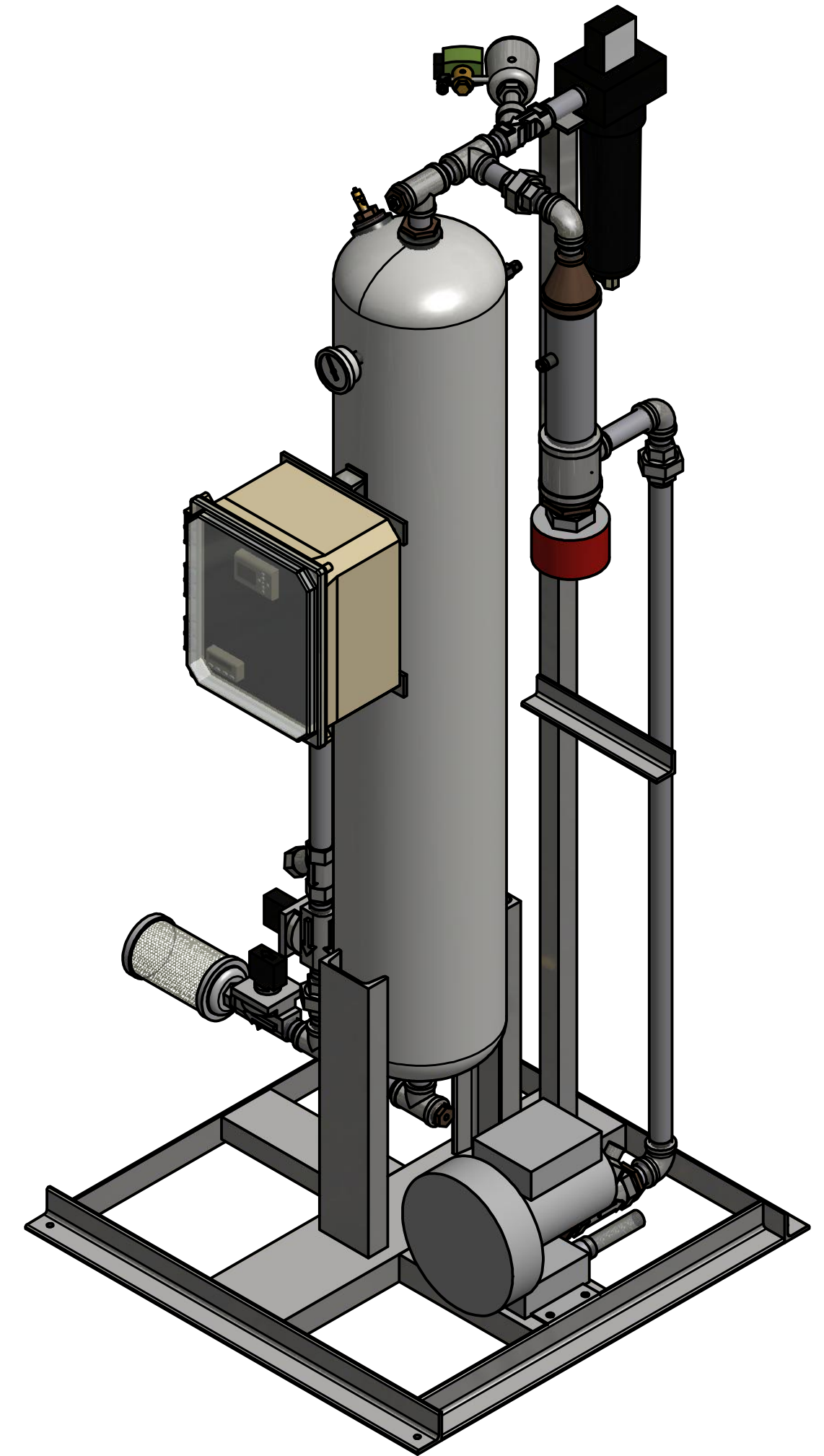
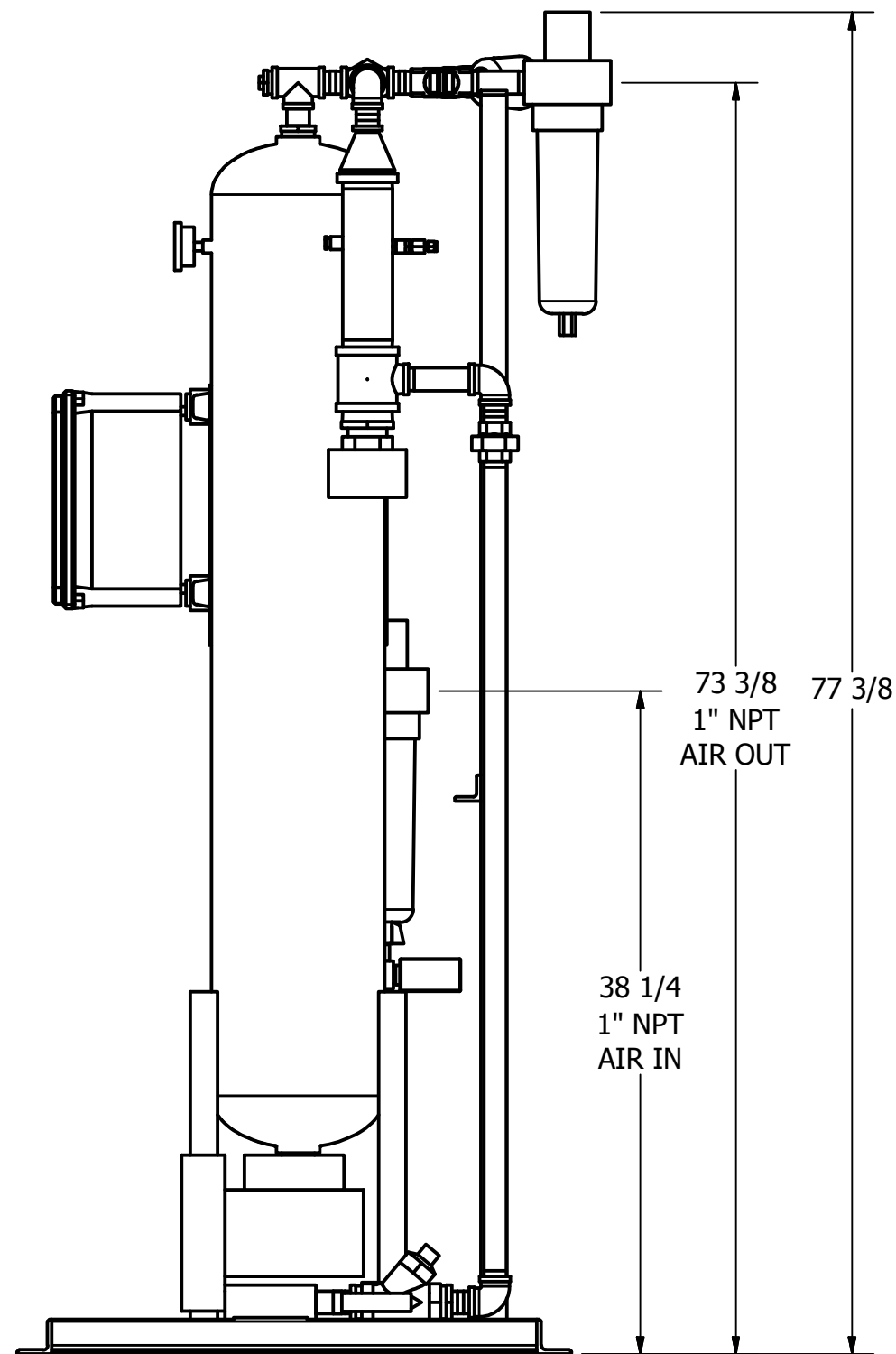
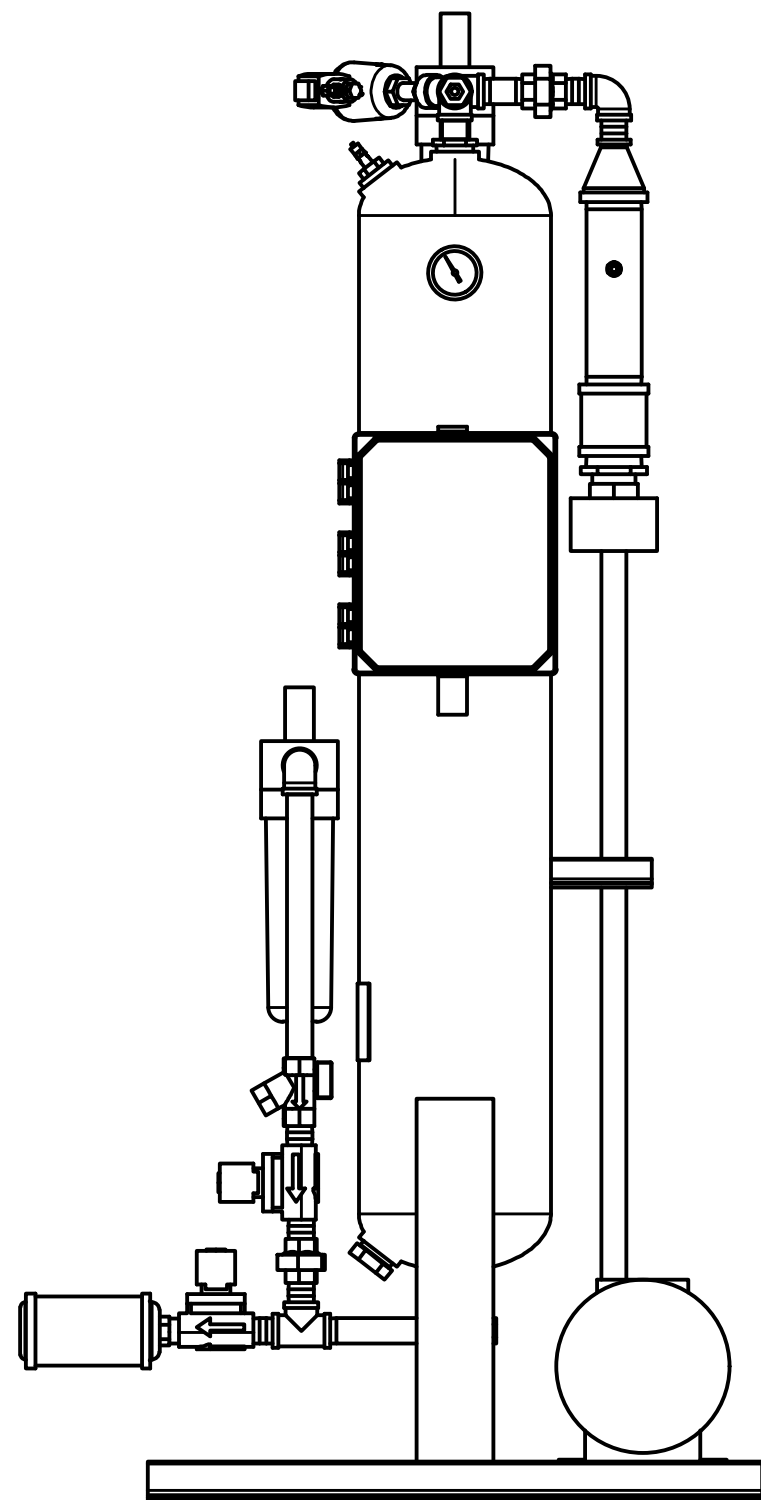
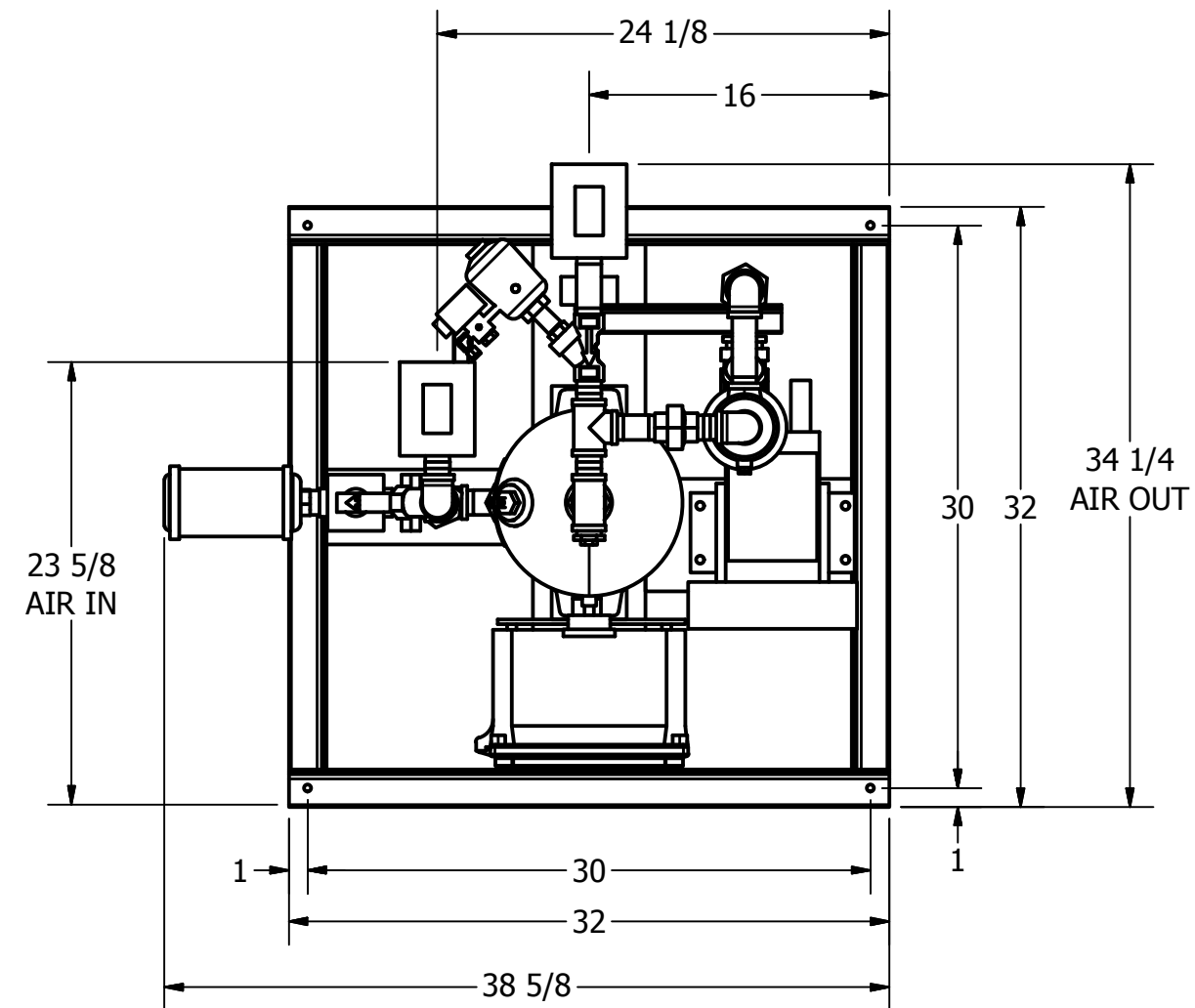
THE SPECIFICATIONS AND DRAWINGS DISCLOSED HEREIN ARE THE SOLE PROPERTY OF ALTEC AIR, AND SHALL NOT BE COPIED OR USED AS THE BASIS FOR SALE OR MANUFACTURE WITHOUT EXPRESS WRITTEN PERMISSION.

### REVISION LOG

REV.	ECO.	DESCRIPTION	DATE	APPROVED
A				

DRAWING NO. **AT20-1362** REV. **A**

DRAWN: WS DATE: 1/21/2021  
 CHECKED: DATE: SCALE: N/A SHEET: 1 OF 2



**PRELIMINARY**



# HBS-0150-1 SINGLE TOWER DESICCANT AIR DRYER GENERAL ARRANGEMENT

TOLERANCES UNLESS OTHERWISE SPECIFIED:

- FRACTIONS = ± 1/4 "
- ANGLES = ± 3°
- INCHES = ± 1/2 "
- FINISH = 250

THE SPECIFICATIONS AND DRAWINGS DISCLOSED HEREIN ARE THE SOLE PROPERTY OF ALTEC AIR, AND SHALL NOT BE COPIED OR USED AS THE BASIS FOR SALE OR MANUFACTURE WITHOUT EXPRESS WRITTEN PERMISSION.

### REVISION LOG

REV.	ECO.	DESCRIPTION	DATE	APPROVED
A				

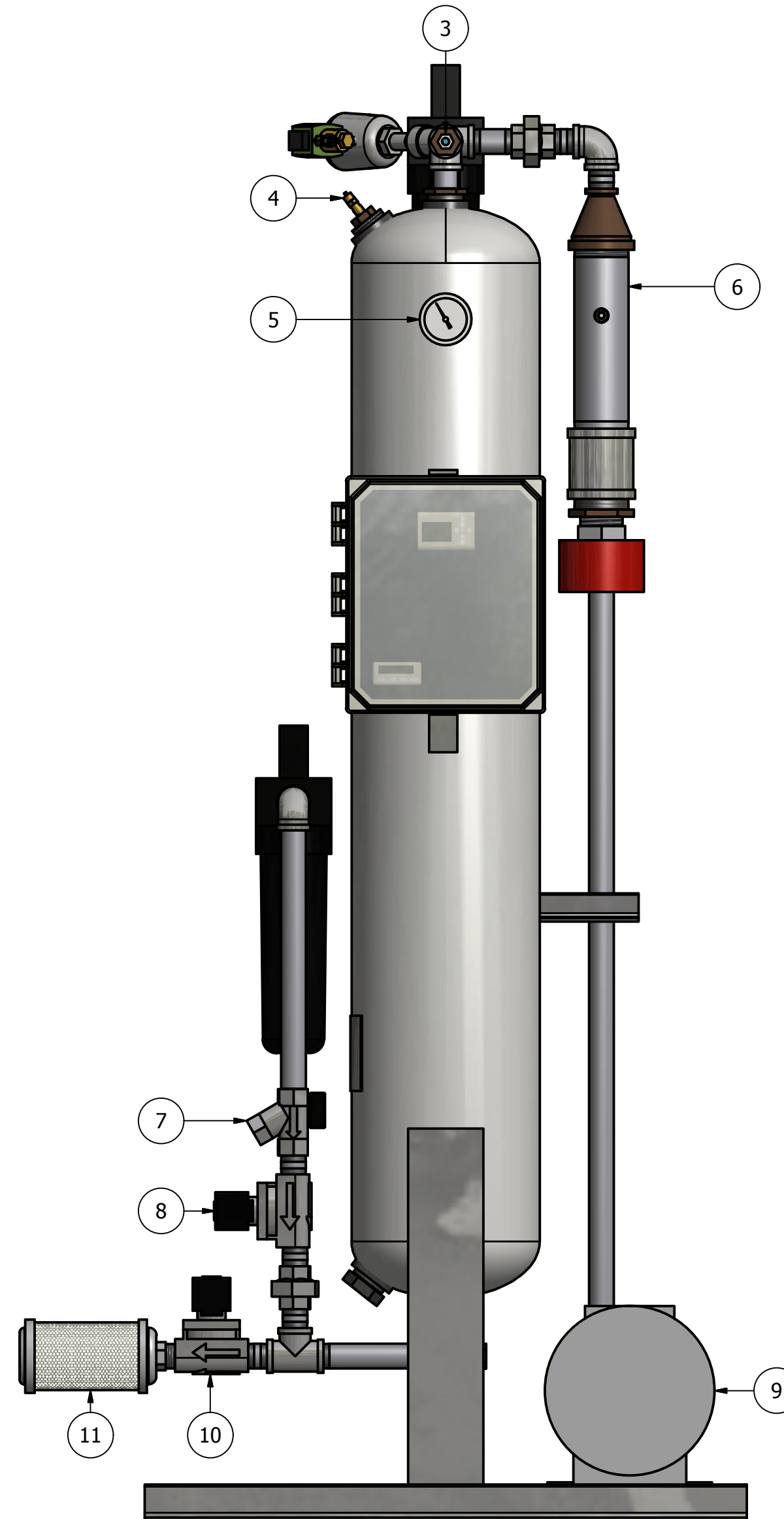
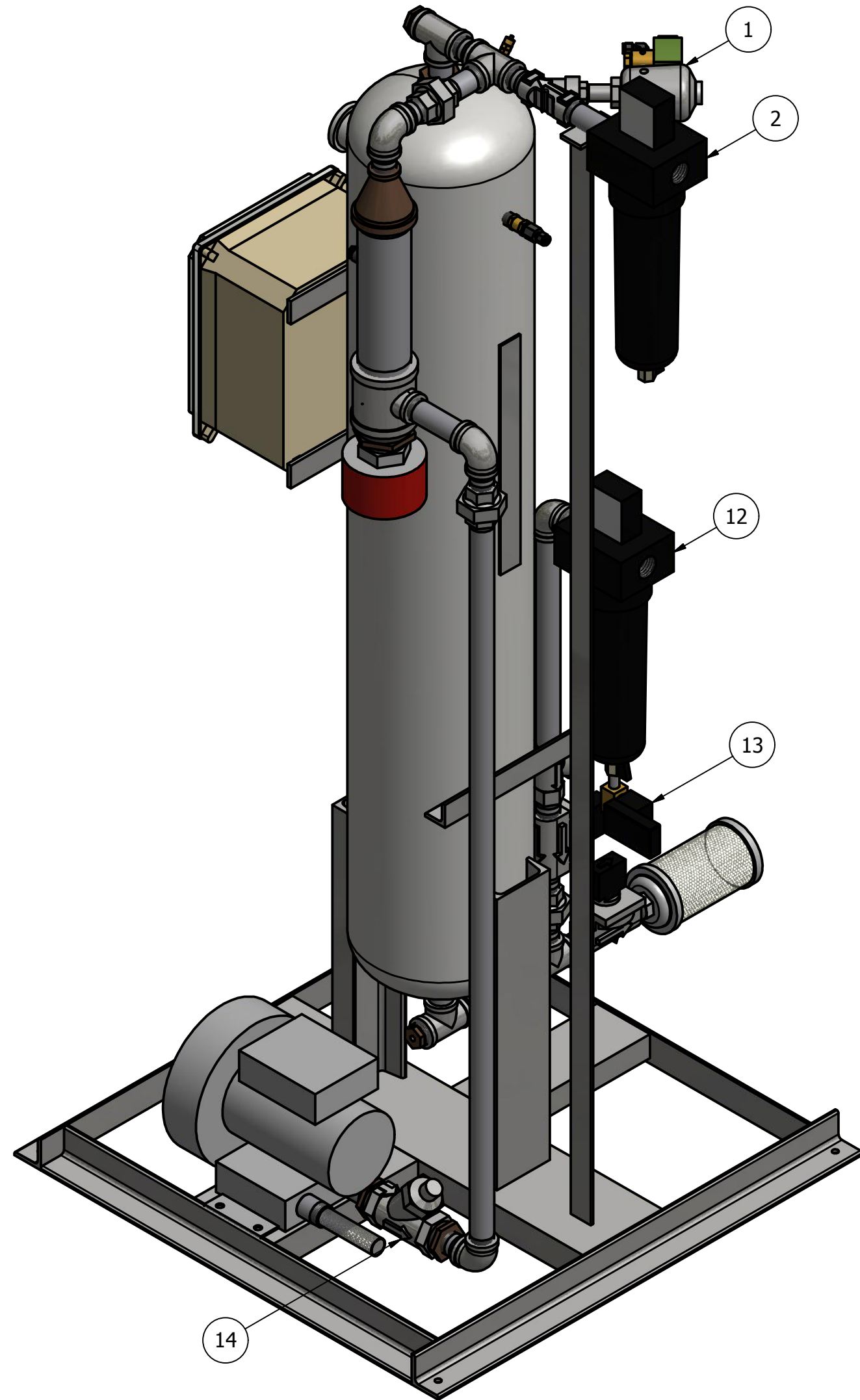
DRAWING NO. **AT20-1362** REV. **A**

DRAWN: WS DATE: 1/21/2021  
CHECKED: DATE:

SCALE: N/A SHEET: 2 OF 2

### PARTS LIST

ITEM	QTY	DESCRIPTION
1	1	ANGLE BODY VALVE, OUTLET
2	1	PARTICULATE AFTER-FILTER
3	1	MOISTURE INDICATOR
4	1	RELIEF VALVE, TANK
5	1	PRESSURE GAUGE, TANK
6	1	1.5 KW HEATER
7	1	CHECK VALVE, INLET
8	1	SOLENOID VALVE, INLET
9	1	1/2 HP BLOWER
10	1	SOLENOID VALVE, EXHAUST
11	1	MUFFLER, EXHAUST
12	1	COALESCER PRE-FILTER
13	1	TIMED DRAIN
14	1	CHECK VALVE, BLOWER
15	125 LBS	DESICCANT



**PRELIMINARY**